



1. Optional Hinged Case  
2. Optional Flush Mounting Ring



Note: RoHS applies to SS and Monel® internals only

### Description & Features:

- Solid phenolic front and polypropylene pressure relief back safety case
- Field liquid-fillable (bottom connection only)
- ±0.5% accuracy
- Stainless steel full rotary movement for longer life
- Micrometer adjustable pointer for ease in calibration
- Under and overload stops
- 316L stainless steel, brass, Monel® wetted parts
- Restricted orifice standard on dual scale (optional on single scale)
- ASME B40.100 compliant
- CRN registered
- 5 year warranty

### Applications:

- Ideally suited for process, chemical, petroleum and power industries
- Suitable for non-clogging corrosive media
- Used where operator safety is a requirement
- Processes where pulsation and vibration exist (with liquid filling)

Specifications	Stainless Steel Internals	Brass Internals
<b>Dial</b>	4.5" (115mm) white aluminum with black and red markings	4.5" (115mm) white aluminum with black and red markings
<b>Case</b>	Black phenolic with pressure relief back, solid front, integral back flange	Black phenolic with pressure relief back, solid front, integral back flange
<b>Solid Wall</b>	Phenolic	Phenolic
<b>Pressure Relief Back</b>	Polypropylene	Polypropylene
<b>Window</b>	Polycarbonate	Polycarbonate
<b>Ring</b>	Phenolic	Phenolic
<b>Pointer</b>	Aluminum, anodized black, micrometer adjustable	Aluminum, anodized black, micrometer adjustable
<b>Socket</b>	316L SS	OT 58 brass
<b>Connection</b>	1/4" NPT or 1/2" NPT standard, bottom or back	1/4" NPT or 1/2" NPT standard, bottom or back
<b>Bourdon Tube</b>	316L SS, drawn seamless	Phosphor bronze
<b>Movement</b>	304 SS with under and overload stops	304 SS with under and overload stops
<b>Gasket Materials</b>	Silicone (FKM option)	Silicone (FKM option)
<b>Welding</b>	TIG	Silver alloy
<b>Over-pressure Limit</b>	25% for pressures below 1,500 psi (10,341 kPa), 15% for pressures 1,500 psi to 8,700 psi (10,341 kPa to 59,984 kPa), 10% for pressures above 8,700 psi (59,984 kPa)	25% for pressures below 1,500 psi (10,341 kPa), 15% for pressures 1,500 psi to 8,700 psi (10,341 kPa to 59,984 kPa), 10% for pressures above 8,700 psi (59,984 kPa)
<b>Working Pressure</b>	Maximum 75% of full scale value	Maximum 75% of full scale value
<b>Ambient Temperature</b>	Dry: -40°F to 250°F (-40°C to 120°C) Glycerin Filled: -4°F to 150°F (-20°C to 65°C)	Dry: -40°F to 250°F (-40°C to 120°C) Glycerin Filled: -4°F to 150°F (-20°C to 65°C)
<b>Process Temperature</b>	-40°F to 250°F (-40°C to 120°C)	-40°F to 150°F (-40°C to 65°C)
<b>Accuracy</b>	±0.5% ANSI/ASME Grade 2A	±0.5% ANSI/ASME Grade 2A
<b>Enclosure Rating</b>	IP65	IP65
<b>Warning (brass internals only)</b>	N/A	<b>⚠ WARNING:</b> This product can expose you to chemicals including lead, which is known to the State of California to cause cancer and birth defects or other reproductive harm. For more information go to <a href="http://www.P65Warnings.ca.gov">www.P65Warnings.ca.gov</a> .

Monel® is a registered trademark of Inco Alloys International

### Single Scale Order Codes (products in bold are normally stock in North America)

Connection	1/4" Bottom	1/4" Back (LB)	1/2" Bottom	1/2" Back (LB)
Socket, Tube	SS			
30" Hg Vac	PPC5040R6	PPC5340R6	PPC5060R6	PPC5460R6
30"/0/15 psi	PPC5130R1	PPC5330R1	PPC5140R1	PPC5440R1
30"/0/30 psi	PPC5131R1	PPC5331R1	<b>PPC5141R1</b>	PPC5441R1
30"/0/60 psi	PPC5132R1	PPC5332R1	PPC5142R1	PPC5442R1
30"/0/100 psi	PPC5133R1	PPC5333R1	PPC5143R1	PPC5443R1
30"/0/160 psi	PPC5134R1	PPC5334R1	PPC5144R1	PPC5444R1
30"/0/200 psi	PPC5135R1	PPC5335R1	PPC5145R1	PPC5445R1
30"/0/300 psi	PPC5136R1	PPC5336R1	PPC5146R1	PPC5446R1
0/15 psi	PPC5041R1	PPC5341R1	PPC5061R1	PPC5461R1
0/30 psi	PPC5042R1	PPC5342R1	<b>PPC5062R1</b>	PPC5462R1
0/60 psi	PPC5043R1	PPC5343R1	<b>PPC5063R1</b>	PPC5463R1
0/100 psi	<b>PPC5044R1</b>	PPC5344R1	<b>PPC5064R1</b>	PPC5464R1
0/160 psi	PPC5045R1	PPC5345R1	<b>PPC5065R1</b>	PPC5465R1
0/200 psi	PPC5046R1	PPC5346R1	<b>PPC5066R1</b>	PPC5466R1
0/300 psi	PPC5047R1	PPC5347R1	<b>PPC5067R1</b>	PPC5467R1
0/400 psi	PPC5048R1	PPC5348R1	<b>PPC5068R1</b>	PPC5468R1
0/600 psi	PPC5049R1	PPC5349R1	<b>PPC5069R1</b>	PPC5469R1
0/800 psi	PPC5058R1	PPC5358R1	<b>PPC5078R1</b>	PPC5478R1
0/1,000 psi	PPC5050R1	PPC5350R1	<b>PPC5070R1</b>	PPC5470R1
0/1,500 psi	PPC5051R1	PPC5351R1	<b>PPC5071R1</b>	PPC5471R1
0/2,000 psi	PPC5052R1	PPC5352R1	<b>PPC5072R1</b>	PPC5472R1
0/3,000 psi	PPC5053R1	PPC5353R1	<b>PPC5073R1</b>	PPC5473R1
0/5,000 psi	PPC5054R1	PPC5354R1	<b>PPC5074R1</b>	PPC5474R1
0/6,000 psi	PPC5199R1	-	PPC5178R1	-
0/10,000 psi	PPC5055R1	PPC5355R1	PPC5075R1	PPC5475R1
0/15,000 psi	PPC5056R1	PPC5356R1	PPC5076R1	PPC5476R1
0/20,000 psi	PPC5057R1	PPC5357R1	PPC5077R1	PPC5477R1

Note: Restrictor screws are not standard on single scale gauges

Other ranges and connection sizes available upon request. For scale change, refer to How to Order Guide for scale codes.

**Option suffix:**

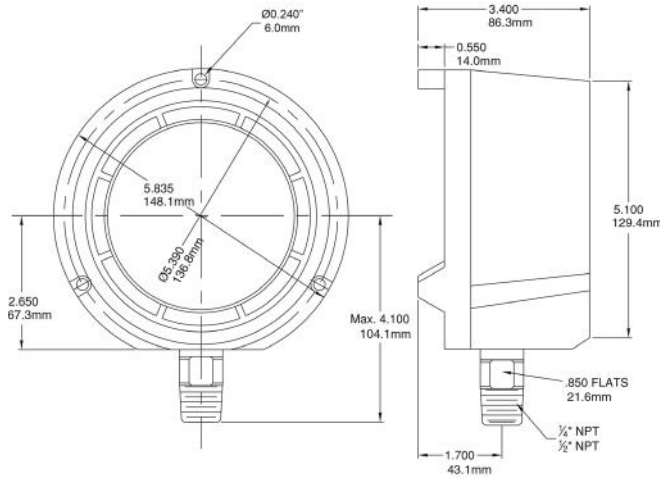
- FMR = Flush mounting ring
- G = Glycerin (bottom connection only)
- HCSF = Solid front hinged case (back connection only)
- MAXI45 = 4.5" (115mm) Maxi pointer
- MS = Monel® tube and socket
- REST = Restrictor Screw (psi only)
- SG-T45 = Tempered Safety Glass
- SF45 = Silicone fill (bottom connection only)

For WinBRIGHT dial options refer to Custom Dials

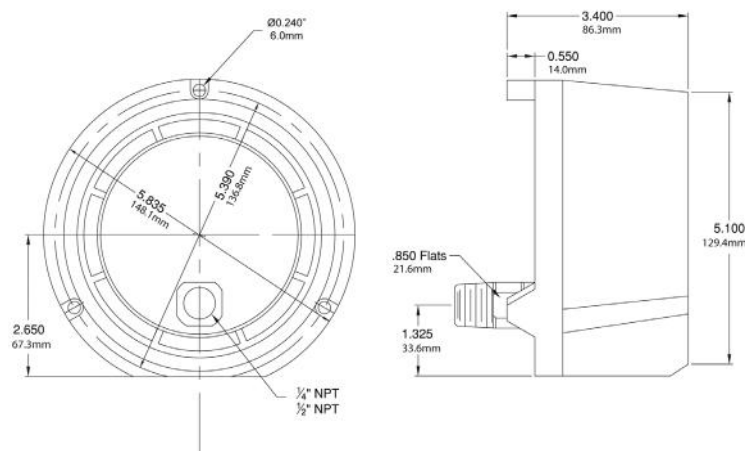
### Dual Scale Order Codes (products in bold are normally stock in North America)

Connection	1/4" Bottom	1/4" Back (LB)	1/4" Bottom	1/4" Back (LB)	1/2" Bottom	1/2" Back (LB)	1/2" Bottom	1/2" Back (LB)
Socket, Tube	Brass		SS		Brass		SS	
30" Hg Vac/kPa	PPC5080	PPC5280	PPC5040	PPC5340	-	-	PPC5060	PPC5460
30"/0/15 psi/kPa	PPC5120	PPC5220	PPC5130	PPC5330	-	-	PPC5140	PPC5440
30"/0/30 psi/kPa	PPC5121	PPC5221	PPC5131	PPC5331	-	-	PPC5141	PPC5441
30"/0/60 psi/kPa	PPC5122	PPC5222	PPC5132	PPC5332	-	-	PPC5142	PPC5442
30"/0/100 psi/kPa	PPC5123	PPC5223	PPC5133	PPC5333	-	-	PPC5143	PPC5443
30"/0/160 psi/kPa	PPC5124	PPC5224	PPC5134	PPC5334	-	-	PPC5144	PPC5444
30"/0/200 psi/kPa	PPC5125	PPC5225	PPC5135	PPC5335	-	-	PPC5145	PPC5445
30"/0/300 psi/kPa	PPC5126	PPC5226	PPC5136	PPC5336	-	-	PPC5146	PPC5446
0/15 psi/kPa	<b>PPC5081</b>	PPC5281	PPC5041	PPC5341	-	-	<b>PPC5061</b>	PPC5461
0/30 psi/kPa	<b>PPC5082</b>	PPC5282	PPC5042	PPC5342	-	-	<b>PPC5062</b>	PPC5462
0/60 psi/kPa	<b>PPC5083</b>	PPC5283	PPC5043	PPC5343	-	-	<b>PPC5063</b>	PPC5463
0/100 psi/kPa	<b>PPC5084</b>	PPC5284	<b>PPC5044</b>	PPC5344	-	-	<b>PPC5064</b>	PPC5464
0/160 psi/kPa	<b>PPC5085</b>	PPC5285	<b>PPC5045</b>	PPC5345	-	-	<b>PPC5065</b>	PPC5465
0/200 psi/kPa	<b>PPC5086</b>	PPC5286	<b>PPC5046</b>	PPC5346	-	-	<b>PPC5066</b>	PPC5466
0/300 psi/kPa	<b>PPC5087</b>	PPC5287	<b>PPC5047</b>	PPC5347	-	-	<b>PPC5067</b>	PPC5467
0/400 psi/kPa	PPC5088	PPC5288	PPC5048	PPC5348	-	-	PPC5068	PPC5468
0/600 psi/kPa	<b>PPC5089</b>	PPC5289	PPC5049	PPC5349	-	-	<b>PPC5069</b>	PPC5469
0/800 psi/kPa	PPC5099	PPC5299	PPC5058	PPC5358	PPC5188	PPC5198	PPC5078	PPC5478
0/1,000 psi/kPa	PPC5098	PPC5298	PPC5050	PPC5350	PPC5090	PPC5290	<b>PPC5070</b>	PPC5470
0/1,500 psi/kPa	-	-	PPC5051	PPC5351	PPC5091	PPC5291	PPC5071	PPC5471
0/2,000 psi/kPa	-	-	PPC5052	PPC5352	PPC5092	PPC5292	PPC5072	PPC5472
0/3,000 psi/kPa	-	-	PPC5053	PPC5353	PPC5093	PPC5293	PPC5073	PPC5473
0/5,000 psi/kPa	-	-	PPC5054	PPC5354	PPC5094	PPC5294	PPC5074	PPC5474
0/6,000 psi/kPa	PPC5199	-	PPC5158	-	PPC5398	-	PPC5178	-
0/10,000 psi/kPa	-	-	PPC5055	PPC5355	PPC5095	PPC5295	PPC5075	PPC5475
0/15,000 psi/kPa	-	-	PPC5056	PPC5356	PPC5096	PPC5296	PPC5076	PPC5476
0/20,000 psi/kPa	-	-	PPC5057	PPC5357	PPC5097	PPC5297	PPC5077	PPC5477

### 4.5" Bottom Connection



### 4.5" Back Connection



### PRC Receiver Gauge



#### Description & Features:

- High quality gauge designed to work with a pneumatic transmitter or controller
- 3-15 psi with a variety of receiver ranges
- 316 stainless steel or brass wetted parts
- ASME B40.100 compliant
- CRN registered
- 5 year warranty

#### Applications:

- Works in conjunction with valves and transmitters to indicate changes in pressure, temperature, flow, level, or other measured proportional variables

#### Order Codes

Connection	1/4" Bottom	1/4" Back	1/4" Bottom	1/4" Back
Socket, Tube	Brass		SS	
3/15 psi/0-100%	PRC5081REC	PRC5281REC	PRC5041REC	PRC5341REC
3/27 psi/0-100%	PRC5082REC	PRC5283REC	PRC5042REC	PRC5342REC