



Note: RoHS applies to SS internals only

Description & Features:

- To measure pressure and temperature of most ammonia systems
- $\pm 0.5\%$ to $\pm 3-2-3\%$ accuracy available
- 2.5" (63mm) to 10" (250mm) dial sizes
- ASME B40.100 compliant
- CRN registered
- 5 year warranty

Applications:

- Used to display pressure and temperature on refrigeration systems

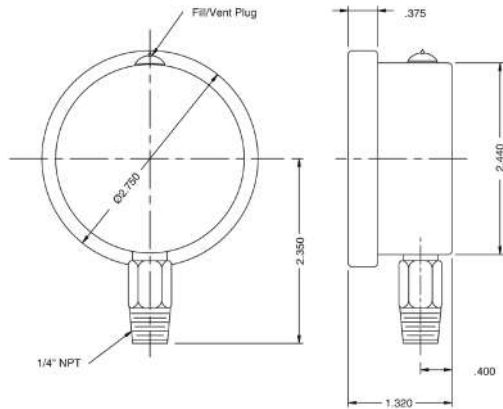
Specifications	Accuracy: $\pm 0.5\%$ to $\pm 1\%$	Accuracy: $\pm 1.5\%$	Accuracy: $\pm 3-2-3\%$
Dial	4" (100mm), 6" (150mm), 8.5" (215mm), 10" (250mm): White aluminum with black and red markings	2.5" (63mm), 3.5" (90mm), 4" (100mm): White aluminum with black and red markings	2.5" (63mm), 4" (100mm): White aluminum with black and red markings
Case	4" (100mm), 6" (150mm): AISI 304 SS 8.5" (215mm), 10" (250mm): Aluminum case	2.5" (63mm), 4" (100mm): AISI 304 SS 3.5" (90mm): Steel, painted black	2.5" (63mm), 4" (100mm): Steel, painted black
Lens	Polycarbonate	Polycarbonate	Polycarbonate
Ring	4" (100mm), 6" (150mm): 304 SS 8.5" (215mm), 10" (250mm): Aluminum	2.5" (63mm), 4" (100mm): 304 SS 3.5" (90mm): Steel painted black	2.5" (63mm), 4" (100mm): Steel painted black
Socket	316L SS	316L SS	2.5" (63mm): Steel 4" (100mm): Nickel plated steel
Connection	1/4" NPT	1/4" NPT	1/4" NPT
Bourdon Tube	316L SS, drawn seamless	316L SS, drawn seamless	316 SS
Movement	304 SS	304 SS	304 SS
Pointer	Aluminum, anodized black, micrometer adjustable	Aluminum, anodized black	Aluminum, anodized black
Welding	TIG	TIG	TIG
Over-pressure Limit	30% of full scale value	30% of full scale value	30% of full scale value
Working Pressure	Maximum 75% of full scale value	Maximum 75% of full scale value	Maximum 75% of full scale value
Ambient/Process Temperature	Dry: -40°F to 150°F (-40°C to 65°C) Glycerin filled: -4°F to 150°F (-20°C to 65°C)	Dry: -40°F to 150°F (-40°C to 65°C) Glycerin filled: -4°F to 150°F (-20°C to 65°C)	Dry: -40°F to 150°F (-40°C to 65°C)
Accuracy	4" (100mm), 6" (150mm): $\pm 1\%$ ANSI/ASME Grade 1A 8.5" (215mm), 10" (250mm): $\pm 0.5\%$ ANSI/ASME Grade 2A	$\pm 1.5\%$ of full scale value	$\pm 3-2-3\%$ ANSI/ASME Grade B
Enclosure Rating	2.5" (63mm), 4" (100mm), 6" (150mm): IP65 8.5" (215mm), 10" (250mm): IP52	IP65	IP52

Order Codes (products in bold are normally stock in North America)

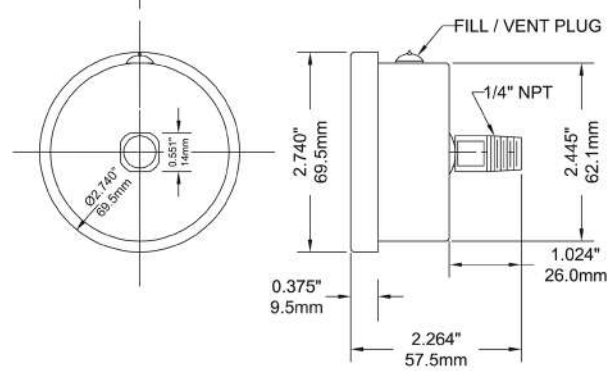
Dial Size	Accuracy: $\pm 0.5\%$ to $\pm 1\%$		Accuracy: $\pm 1.5\%$		Accuracy: $\pm 3-2-3\%$	
	30/0/150 psi/°F	30/0/300 psi/°F	30/0/150 psi/°F	30/0/300 psi/°F	30/0/150 psi/°F	30/0/300 psi/°F
2.5" (63mm) Bottom	-	-	PAM1750	PAM1751	PAM1699	PAM1700
2.5" (63mm) Back (CB)	-	-	PAM1752	PAM1753	-	-
3.5" (90mm) Bottom	-	-	PAM1717	PAM1818	-	-
4" (100mm) Bottom	PAM1705	PAM1706	PAM1701	PAM1702	PAM1695	PAM1696
4" (100mm) Back (LB)	PAM1708	PAM1709	-	-	-	-
4" (100mm) Back (CB)	-	-	PAM1703	PAM1704	PAM1697	PAM1698
6" (150mm) Bottom	PAM1710	PAM1711	-	-	-	-
8.5" (215mm) Bottom	PAM1712	PAM1713	-	-	-	-
10" (250mm) Bottom	PAM1714	PAM1715	-	-	-	-

Other ranges and connection sizes available upon request. For scale change, refer to How to Order Guide for scale codes. Glycerin fill available (except on 3.5" (90mm), 8.5" (215mm), 10" (250mm) dials, and gauges with a $\pm 3-2-3\%$ accuracy). Front/back flange and u-clamp available.

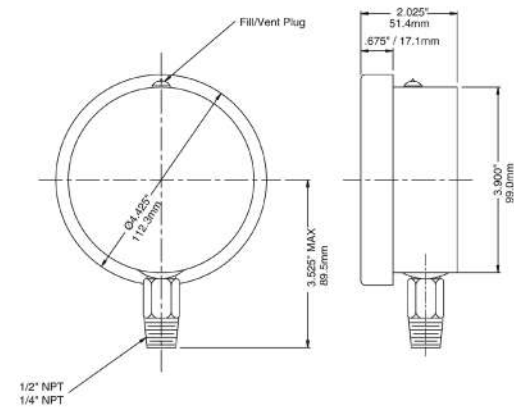
2.5" Bottom Connection



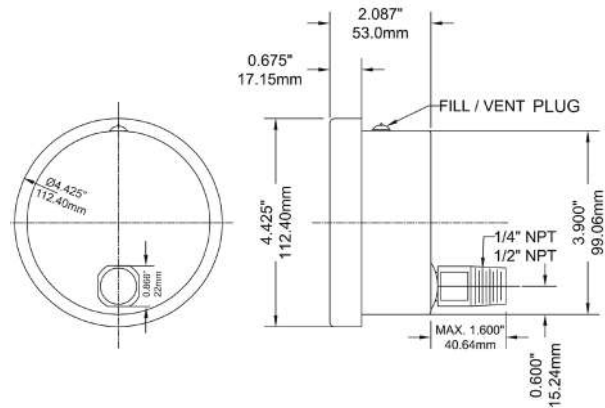
2.5" Back Connection



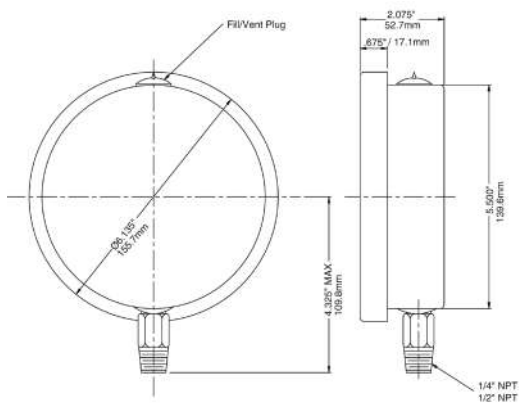
4" Bottom Connection



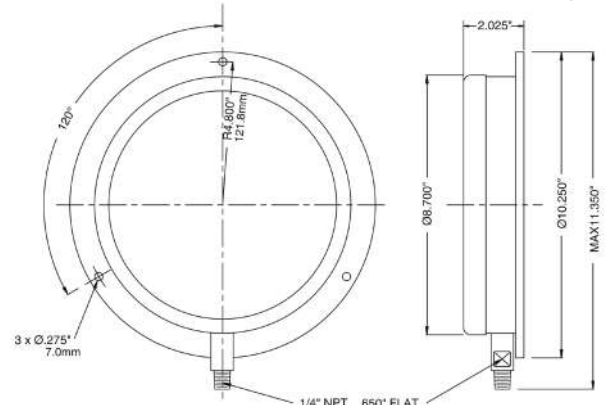
4" Back Connection



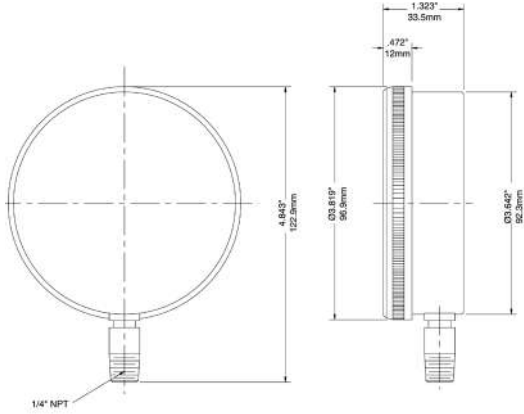
6" Bottom Connection



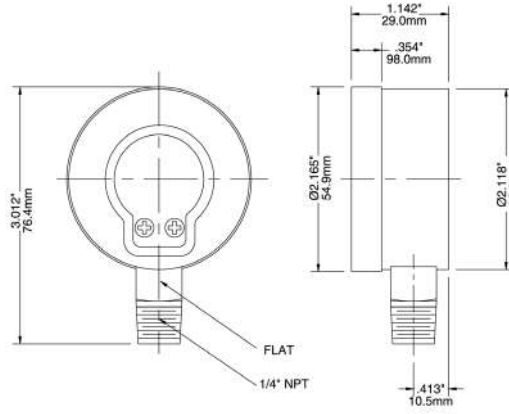
8.5" Bottom Connection with Back Flange



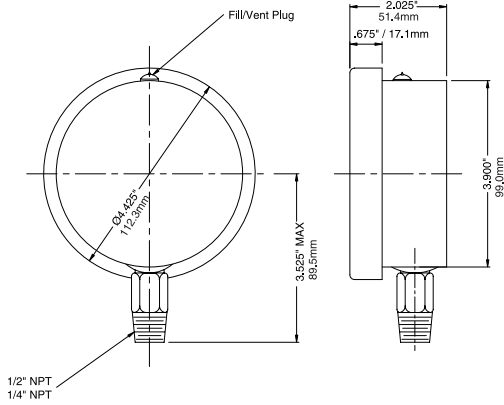
PAM with Accuracy $\pm 1.5\%$ 3.5" Bottom Connection



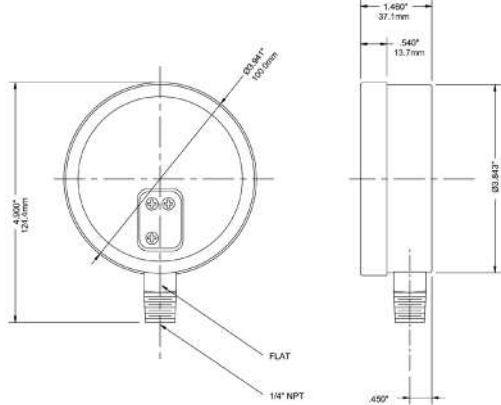
PAM with Accuracy $\pm 3-2-3\%$ 2.5" Bottom Connection



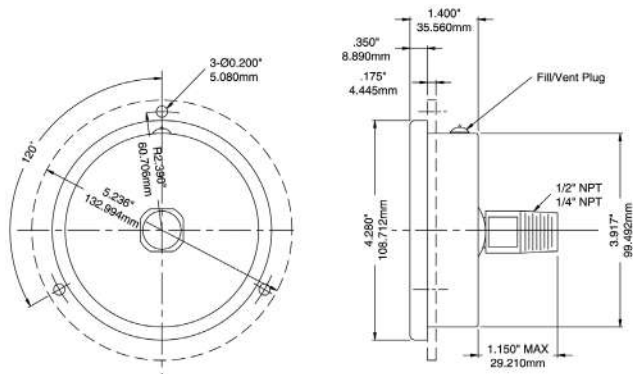
4" Bottom Connection



4" Bottom Connection



4" Back Connection



4" Back Connection

