



Description & Features:

- Smart multi-functional digital differential pressure transmitter designed for industrial applications
- Explosion proof and intrinsically safe designs for hazardous locations
- Stainless steel and aluminum housing
- Gauge, absolute and differential pressure measurement
- 0.1% accuracy
- Simple to operate 3-push button control with 5-digit display and 100% bar graph
- 4/20mA plus HART® digital communication
- Simplified re-zero calibration via push-button functionality
- 10:1 rangeability allows for installation in any application

Applications:

- Ideally suited for hazardous locations requiring either a stainless steel or die-cast aluminum housing.
- Suitable for differential pressure measurement in Oil & Gas installations (on-shore and offshore), power generation, including renewable energy facilities, filtration monitoring, tank level and flow measurement in hazardous areas.

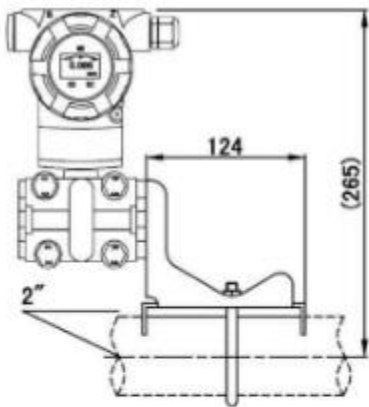
Specifications

Output Signal	4/20 mA + HART, 2-wire / V = 9-32 VDC
LCD Display	Available with LCD display (standard) or without LCD display (optional)
Accuracy	0.1% URL standard
Stability	0.2% of URL for two-years
Temperature Ranges	Working/Media temperature: -25/95°C (with display -13/203 deg F), -40/185°C (without display -4/158 deg F) Ambient temperature: -40/60°C (with display -40/140 deg F), -40/115°C (without display -4/240 deg F) Storage temperature: -40/110°C (with display -40/85 deg F), -40/230°C (without display -40/446 deg F)
Working Humidity	0-100 % relative humidity
Housing	304SS, 316SS, Rugged die-cast aluminum housing (painted Blue)
Pressure Connection	2 x 1/4" NPT F, 1/2" NPT F adapters available
Diaphragm	316L SS with BUNA-N, Hastelloy® C or Monel or Tantalum plus Vitron or PTFE o-rings optional
Drains & Vents	304SS or 316SS
Response Time	200 ms
Turn on Time	2 seconds (with minimum Damping enabled)
Power Consumption	<162.8 mW
Vibration Effect	+/- 0.005% of URL per G to 200 Hz, in accordance to IEC60770-1:1999
Available pressure units	kPa, Mpa, bar, psi, mmHg, mmH2O, mH2O, inH2O, ftH2O, inHg, mHg, TORR, mbar, g/cm2, kg/cm2, Pa, ATM, m, cm, mm
Protection Class	EMC, reverse polarity protected
Approval	ATEX, II 2 G Ex db IIC T6 Gb ATEX, II 1 G Ex ia IIC T1~T6 Ga Intrinsically safe parameters: Ui=28Vdc, Ii=93mA, Pi=0.65W, Ci=5nF, Li=0 mH
Protection Class	IP66
Weight	15.9 lbs (7.2 kg)
Operational Life	100 million cycles

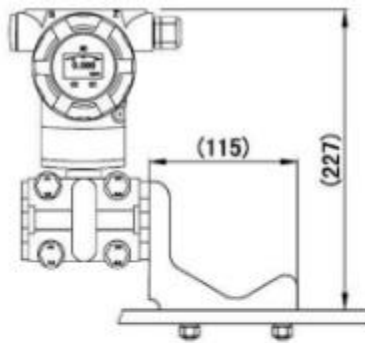
Order Codes

4/20 mA + HART®, 2-Wire Option		ATEX Ex db		ATEX Ex ia	
		Process Connection, 1/4" NPT F	Process Connection, 1/4" NPT F	Process Connection, 1/4" NPT F	Process Connection, 1/4" NPT F
Range (PSI)	Overload Pressure (PSI)	Electrical Entry 1/2" NPT F	Electrical Entry M20*1.5	Electrical Entry 1/2" NPT F	Electrical Entry M20*1.5
0/0.2 psi (0/6"H2O)	1.0	LY34H1XD3D50D1R2F1B6LS	LY34H1XD3D50D1R5F1B6LS	LY34H1IA3D50D1R2F1B6LS	LY34H1IA3D50D1R5F1B6LS
0/1 psi	1.5	LY34H1XD3D51D1R2F1B6LS	LY34H1XD3D51D1R5F1B6LS	LY34H1IA3D51D1R2F1B6LS	LY34H1IA3D51D1R5F1B6LS
0/5 psi	7.5	LY34H1XD3D52D1R2F1B6LS	LY34H1XD3D52D1R5F1B6LS	LY34H1IA3D52D1R2F1B6LS	LY34H1IA3D52D1R5F1B6LS
0/30 psi	45.0	LY34H1XD3D53D1R2F1B6LS	LY34H1XD3D53D1R5F1B6LS	LY34H1IA3D53D1R2F1B6LS	LY34H1IA3D53D1R5F1B6LS
0/100 psi	150.0	LY34H1XD3D54D1R2F1B6LS	LY34H1XD3D54D1R5F1B6LS	LY34H1IA3D54D1R2F1B6LS	LY34H1IA3D54D1R5F1B6LS
0/300 psi	450.0	LY34H1XD3D55D1R2F1B6LS	LY34H1XD3D55D1R5F1B6LS	LY34H1IA3D55D1R2F1B6LS	LY34H1IA3D55D1R5F1B6LS
0/1,000 psi	1,500.0	LY34H1XD3D56D1R2F1B6LS	LY34H1XD3D56D1R5F1B6LS	LY34H1IA3D56D1R2F1B6LS	LY34H1IA3D56D1R5F1B6LS

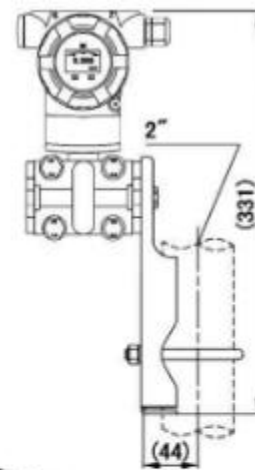
Dimensions (mm)



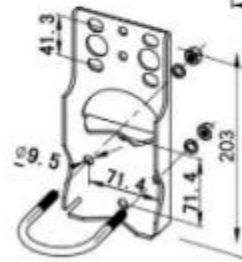
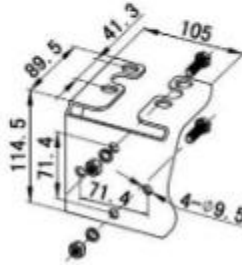
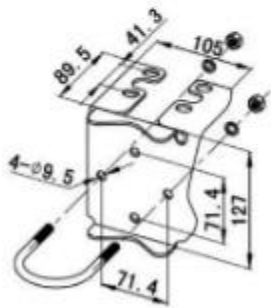
LY34B4



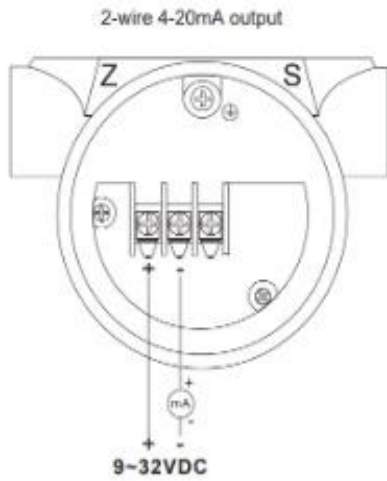
LY34B5



LY34B6



Wiring Diagram



Order Codes

LY34 CONFIGURED PART NUMBER

OUTPUT	4...20 Ma + HART / 2-wire, linear output 4...20 Ma + HART / 2-wire, square root output (>5psi)	H 1 H 2
AREA CLASSIFICATION	Hazardous location per ATEX Ex db Intrinsically Safe per ATEX Ex ia	X D I A
CASE HOUSING	Die-Cast Aluminum, Blue 304 Stainless Steel 316 Stainless Steel	1 2 3
SERIES PRESSURE RANGE (PSI D)	0/0.2 0/1 0/5 0/30 0/100 0/300 0/1,000 Other, specify range	D 5 0 D 5 1 D 5 2 D 5 3 D 5 4 D 5 5 D 5 6 D # #
PRESSURE	Differential Absolute	D A
ACCURACY	0.10 %	1
ELECTRICAL CONNECTION	1/2" NPT F M20*1.5 F	R 2 R 5
PROCESS CONNECTION	Double flange 1/4" NPT F, drain in rear Double flange 1/4" NPT F, drain in upper Double flange 1/4" NPT F, drain in lower	F 1 F 2 F 3
SEALS	Buna-N (NBR) Viton (FKM) Low Temperature Viton	B V L
PRESSURE PORT	316 SS	6
DIAPHRAGM / FILL FLUID	316L SS + Silicone Oil Hastelloy C + Silicone Oil (>5psi) 316L SS + Fluorine Oil	L S H S L F
SPECIAL	2" Tube-type Curved Mounting Bracket, 304SS Wall Mounted Bracket, 304SS 2" Tube-type Flat Mounting Bracket, 304SS Without LCD display Adapters 1/2" NPT (F) Special	B 4 B 5 B 6 W D A 2 Z # #