



### Description & Features:

- Smart multi-functional digital pressure transmitter designed for industrial applications
- Explosion proof and intrinsically safe designs for hazardous locations
- Stainless steel and aluminum housing
- Gauge and Absolute pressure measurement
- 0.1% accuracy
- Simple to operate 3-push button control with 5-digit display
- 4/20mA plus HART® digital communication
- Simplified re-zero calibration via push-button functionality
- 10:1 rangeability allows for installation in any application

### Applications:

- Suitable for pressure measurement in Oil & Gas installations (onshore and offshore), power generation, including renewable energy facilities, waste water locations and many other hazardous areas.

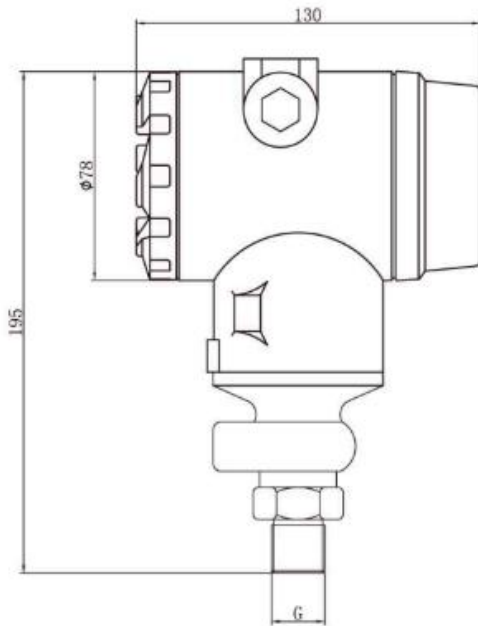
### Specifications

<b>Output Signal</b>	4/20 mA + HART, 2-wire / V = 9-32 VDC
<b>LCD Display</b>	Available with LCD display (standard) or without LCD display (optional)
<b>Accuracy</b>	0.1% URL standard
<b>Stability</b>	0.2% of URL for two-years
<b>Temperature Ranges</b>	Working/Media temperature: -25/95°C (with display -13/203 deg F), -40/185°C (without display -4/158 deg F) Ambient temperature: -40/60°C (with display -40/140 deg F), -40/115°C (without display -4/240 deg F) Storage temperature: -40/110°C (with display -40/85 deg F), -40/230°C (without display -40/446 deg F)
<b>Working Humidity</b>	0-100 % relative humidity
<b>Pressure Connection</b>	1/2" NPT M or F, G1/2", M20*1.5
<b>Housing</b>	304SS, 316SS, Rugged die-cast aluminum housing (painted Blue)
<b>Wetted Parts</b>	316 SS process connection, 316 L diaphragm
<b>Response Time</b>	200ms
<b>Turn On Time</b>	2 seconds (with minimum damping enabled)
<b>Power consumption</b>	<162.8 mW
<b>Vibration Effect</b>	+/- 0.005% of URL per G to 200 Hz, in accordance to IEC60770-1:1999
<b>Available Pressure Units</b>	kPa, Mpa, bar, psi, mmHg, mmH2O, mH2O, inH2O, ftH2O, inHg, mHg, TORR, mbar, g/cm2, kg/cm2, Pa, ATM, m, cm, mm
<b>Protection Class</b>	EMC, reverse polarity protected
<b>Approval</b>	ATEX, II 2 G Ex db IIC T6 Gb ATEX, II 1 G Ex ia IIC T1~T6 Ga Intrinsically safe parameters: Ui=28Vdc, li=93mA, Pi=0.65W, Ci=5nF, Li=0 mH
<b>Protection Class</b>	IP66
<b>Weight</b>	5.95 lbs (2.7 kg)
<b>Operational Life</b>	100 million cycles

## Order Codes

4/20 mA + HART®, 2-Wire Option		ATEX Ex db		ATEX Ex ia	
Range (PSI)	Overload Pressure (PSI)	Process Connection, 1/2" NPT M	Process Connection, G1/2"	Process Connection, 1/2" NPT M	Process Connection, G1/2"
		Electrical Entry 1/2" NPT F	Electrical Entry M20*1.5	Electrical Entry 1/2" NPT F	Electrical Entry M20*1.5
0/1 psi	1.5	LY14HXD3P50G1R2N2W6LS	LY14HXD3P50G1R5G2W6LS	LY14HIA3P50G1R2N2W6LS	LY14HIA3P50G1R5G2W6LS
0/5 psi	7.5	LY14HXD3P51G1R2N2W6LS	LY14HXD3P51G1R5G2W6LS	LY14HIA3P51G1R2N2W6LS	LY14HIA3P51G1R5G2W6LS
0/30 psi	45.0	LY14HXD3P52G1R2N2W6LS	LY14HXD3P52G1R5G2W6LS	LY14HIA3P52G1R2N2W6LS	LY14HIA3P52G1R5G2W6LS
0/100 psi	150.0	LY14HXD3P53G1R2N2W6LS	LY14HXD3P53G1R5G2W6LS	LY14HIA3P53G1R2N2W6LS	LY14HIA3P53G1R5G2W6LS
0/300 psi	450.0	LY14HXD3P54G1R2N2W6LS	LY14HXD3P54G1R5G2W6LS	LY14HIA3P54G1R2N2W6LS	LY14HIA3P54G1R5G2W6LS
0/1,000 psi	1,500.0	LY14HXD3P55G1R2N2W6LS	LY14HXD3P55G1R5G2W6LS	LY14HIA3P55G1R2N2W6LS	LY14HIA3P55G1R5G2W6LS
0/3,000 psi	4,500.0	LY14HXD3P56G1R2N2W6LS	LY14HXD3P56G1R5G2W6LS	LY14HIA3P56G1R2N2W6LS	LY14HIA3P56G1R5G2W6LS

## Dimensions (mm)

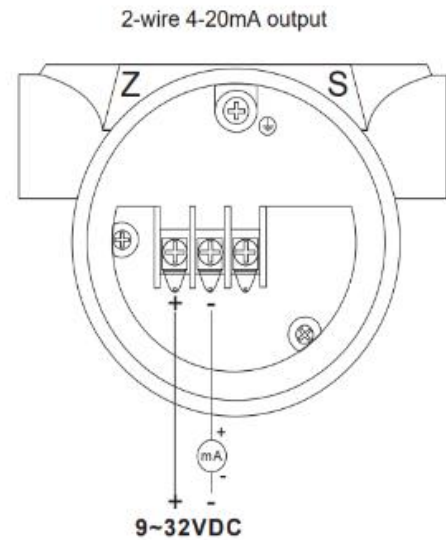


78mm = 3.1"

130mm = 5.1"

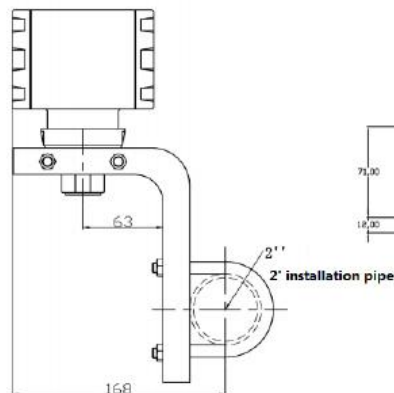
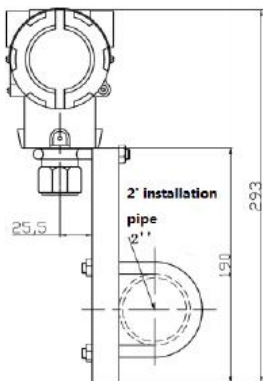
195mm = 7.7"

## Wiring Diagram

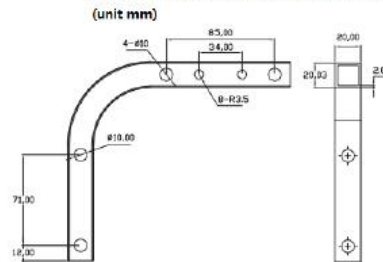


## Pipe Mounting Bracket

WinSMART™ Pressure Transmitter (threaded interface) overall dimensions (unit: mm)



Dimensional drawing of mounting bracket



## Series Number (how to order)

### LY14 CONFIGURED PART NUMBER

<b>OUTPUT</b>	4...20 Ma + HART / 2-wire
<b>AREA CLASSIFICATION</b>	Hazardous location per ATEX Ex db Intrinsically Safe per ATEX Ex ia
<b>CASE HOUSING</b>	Die-Cast Aluminum, Blue 304 Stainless Steel 316 Stainless Steel
<b>SERIES PRESSURE RANGE (P)</b>	0/1 0/5 0/30 0/100 0/300 0/1,000 0/3,000 Other, specify range
<b>PRESSURE</b>	Gauge Absolute
<b>ACCURACY</b>	0.10 %
<b>ELECTRICAL CONNECTION</b>	1/2" NPT F M20*1.5 F
<b>PROCESS CONNECTION</b>	1/2" NPT M 1/2" NPT F 1/4" NPT M G1/2" M M20*1.5
<b>SEALS</b>	Welded
<b>PRESSURE PORT</b>	316 SS
<b>DIAPHRAGM</b>	316L SS Hastelloy C Tantalum
<b>Fill Fluid</b>	Silicone Oil Fluorine Oil
<b>SPECIAL</b>	U-shaped 2" mounting bracket 304SS Without LCD display Special

