



Description & Features:

- Designed to measure the differential pressures of liquids and gases
- Compact yet rugged stainless steel housing with highly accurate stainless steel sensor
- Available ranges from low pressure to 500 PSI (34.5 BAR)
- DIN-style electrical connection, cable outlet also available
- $\pm 0.5\%$ accuracy standard
- CE mark and RoHS compliant
- Electromagnetic protection
- 5 year warranty

Applications:

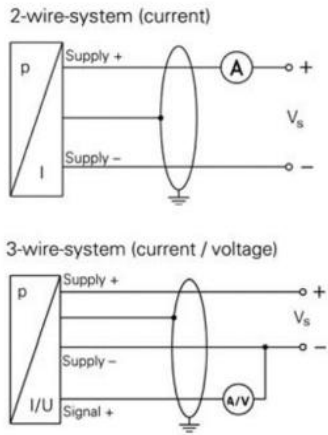
- Utilized to measure two varying and different pressures. Ideal for across-the-line filters, flow measurement, liquid tank levels and many other Commercial and Industrial applications



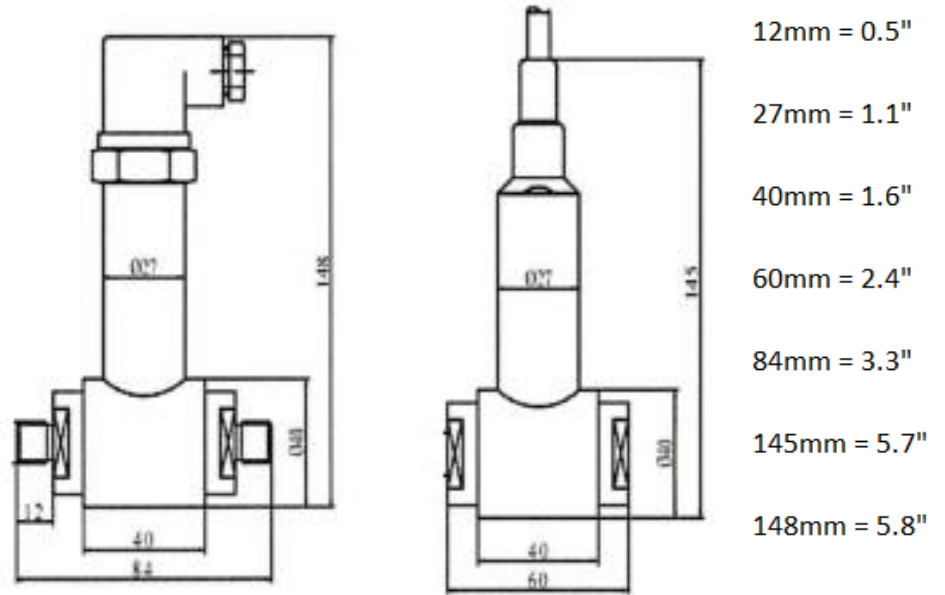
Specifications

Output Signal	4-20 mA, 2 wire 0-5 Vdc or 0-10 Vdc 0...10 Vdc, 3-wire / Vs = 10-30 Vdc 0...5 Vdc, 3-wire / Vs = 10-30 Vdc 1...5 Vdc, 3-wire / Vs = 10-30 Vdc
Accuracy	$\pm 0.5\%$ Full Scale Output
Overload/Burst Pressure	150% / 3 times
Load Resistance	RL = (U-10)/0.02(Ω) (4~20mA current output), >20K Ω (voltage output)
Long Term Stability	$\pm 0.25\%$ FSO (typically per year)
Response Time	1ms
Storage Temperature	-10 to 70 deg C (14 to 158 deg F)
Operating Temperature	-40 to 85 deg C (-40 to 185 deg F)
Insulation Resistance	>100 M Ω @ 50 VDC
Reverse Polarity Protection	Yes
Electromagnetic Protection	EN50081-1/2, EN50082-2
Enclosure Rating	IP65 for DIN 43650-A, IP66 for Cable Outlet
Housing	1Cr18Ni9Ti
Wetted Parts	316L welded sensor
Process Connections	1/4" NPT Female or Male, G1/4 Female or Male
Operation Life	1 million cycles, minimum
Lightning Protection	Yes
Weight	200 grams (0.4 pounds)

Wiring Diagram



Dimensions (mm)



Order Codes

Range (PSI)	Proof-Pressure (PSI)	4/20mA, 0.5% Accuracy DIN Electrical Connection	
		1/4" NPT F x F	1/4" NPT M x M
0-15 PSI (0-1 BAR)	22.5	LTD110D015DF46S	LTD110D015DM46S
0-30 PSI (0-2 BAR)	45.0	LTD110D025DF46S	LTD110D025DM46S
0-60 PSI (0-4 BAR)	90.0	LTD110D035DF46S	LTD110D035DM46S
0-100 PSI (0-6.9 BAR)	150.0	LTD110D045DF46S	LTD110D045DM46S
0-160 PSI (0-11 BAR)	340.0	LTD110D055DF46S	LTD110D055DM46S
0-200 PSI (0-13.8 BAR)	300.0	LTD110D065DF46S	LTD110D065DM46S
0-300 PSI (0-20.7 BAR)	450.0	LTD110D075DF46S	LTD110D075DM46S
0-500 PSI (0-34.5 BAR)	750.0	LTD110D085DF46S	LTD110D085DM46S

Series Number (how to order)

LTD Engineering Codes	
OUTPUT	4...20 mA, 2-wire 0...10 Vdc, 3-wire 1...5 Vdc, 3-wire 0...5 Vdc, 3-wire Other output type, specify
ELECTRICAL CONNECTION	DIN 43650 Type-A, IP65 Cable Outlet, PVC Shielded, 1 meter, IP66 Other material, specify
SERIES PRESSURE RANGE (PSI D)	0-15 PSI (0-1 BAR) 0-30 PSI (0-2 BAR) 0-60 PSI (0-4 BAR) 0-100 PSI (0-6.9 BAR) 0-160 PSI (0-11 BAR) 0-200 PSI (0-13.8 BAR) 0-300 PSI (0-20.7 BAR) 0-500 PSI (0-34.5 BAR) Other differential pressure range, specify
ACCURACY	0.5% Differential pressure
PROCESS CONNECTION	1/4" NPT F x F 1/4" NPT M x M G 1/4 F x F G 1/4 M x M
SEAL	316L welded
SPECIAL	PSI pressure range (standard, no need to include) BAR pressure range Additional 6 ft (2m) PVC cable Additional 10 ft (3m) PVC cable Special

