

Explosion Proof and Adjustable Deadband Pressure Switch



Description & Features:

- Heavy-duty Explosion-proof pressure switch
- Low pressure to 4,000 psi
- High current ratings for 1 x SPDT or 2 x SPDT switches
- Fixed or adjustable deadband options
- Die cast aluminum construction with welded seal
- 1% accuracy
- IP68 rated including Hermetically sealed option
- cULus listed and RU recognized
- CRN registration pending

Applications:

- Designed for hazardous areas including Oil & Gas, Petrochemical, Power Generation, Waste Water and others

Specifications	
Housing	Heavy-duty explosion-proof die-cast aluminum, blue colour
Accuracy	+/- 1% of the adjustable set-point range
Pressure Connection	Female 1/4" or 1/2" NPT, BSP and M20xP1.5
Electrical Connection	Female 1/2" or 3/4" NPT, M20xP1.5
Wetted Parts	316 Stainless Steel welded
Set Point Adjustment	Field selectable
Deadband	Fixed or Adjustable, see Order Codes
Contact Rating	Fixed Deadband: 15A @ 125/250VAC, 0.4A @ 125VDC, 3A @ 30VDC Hermetically sealed switch 5A @ 250VAC Gold contact microswitch 1A @ 125/250VAC Adjustable Deadband: 20A @ 125/250/480VAC, 5A @ 125VDC
No. of Contacts	1 x SPDT or 2 x SPDT (only 1 x SPDT available for Adjustable Deadband range)
Ambient/Process Temperature	-30 to 205 deg C (-22 to 400 deg F)
Enclosure Rating	IP68, Protection from dust ingress and submersion in fresh water to a maximum depth of 1.5 metres for up to 30 minutes
Approvals	cULus listed, Class I Divison 1 Groups A, B, C & D; Class II Divison 1 Groups E, F & G (housing) RU recognized, file no E12252 (switch only) CRN registration pending
Weight	3.95 lbs (1.79 kg)

Explosion Proof and Adjustable Deadband Pressure Switch

6WPS & 6WPSA

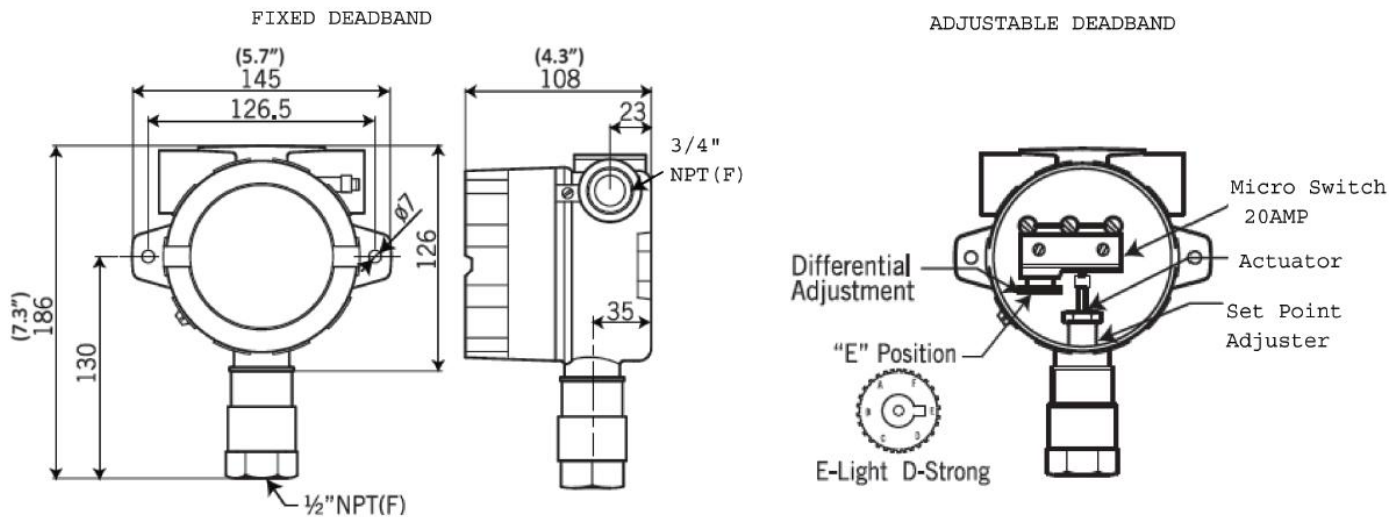
Electronic Pressure Switches

Order Codes

Adjustable Range PSI	Fixed Dead Band Per Switch Type, PSI			Proof Pressure PSI	Micro Switch Option with 3/4" NPT Electrical	
	Micro	Hermetically Sealed	Gold Contact		1/4" NPT Process	1/2" NPT Process
10-100	0.9-2.1	5.4-12	4.7-9.2	3,000	6WPS0106F4F301U	6WPS0106F2F301U
35-200	1.4-5.4	5.4-18.5	4.7-11.4	3,000	6WPS0206F4F301U	6WPS0206F2F301U
50-300	1.4-6.9	5.4-45.5	5.3-37	3,000	6WPS0306F4F301U	6WPS0306F2F301U
100-600	1.7-15.1	5.7-66.7	5.3-78	3,000	6WPS0606F4F301U	6WPS0606F2F301U
100-1,300	5.5-15	5.7-126.4	5.3-106.5	3,000	6WPS1306F4F301U	6WPS1306F2F301U
300-2,400	19.6-39.5	19.9-227.2	16.9-165	4,000	6WPS2406F4F301U	6WPS2406F2F301U
400-4,000	32.5-65.6	19.9-326.6	16.9-213	5,000	6WPS4006F4F301U	6WPS4006F2F301U

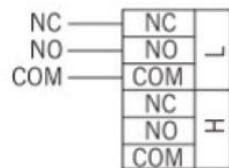
Adjustable Range PSI	Adjustable Dead Band E-position PSI	Proof Pressure PSI	Micro Switch Option with 3/4" NPT Electrical	
			1/4" NPT Process	1/2" NPT Process
10-100	10-25	3,000	6WPSA0106F4F301U	6WPSA0106F2F301U
35-200	12-30	3,000	6WPSA0206F4F301U	6WPSA0206F2F301U
50-300	28-50	3,000	6WPSA0306F4F301U	6WPSA0306F2F301U
100-600	28-60	3,000	6WPSA0606F4F301U	6WPSA0606F2F301U
200-1,300	42-100	3,000	6WPSA1306F4F301U	6WPSA1306F2F301U

Dimensions

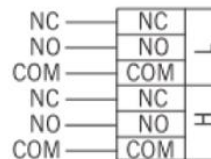


Wiring Schematic

1 x SPDT



2 x SPDT



Explosion Proof and Adjustable Deadband Pressure Switch

Electronic Pressure Switches

Engineering Code

SERIES

PRESSURE RANGES (PSI)

Pressure Range	Deadband	Proof Pressure PSI		
			Min	Max
Fixed Deadband	10	100	0.9-2.1	3,000
	35	200	1.4-5.4	3,000
	50	300	1.4-6.9	3,000
	100	600	1.7-15.1	3,000
	100	1,300	5.5-15	3,000
	300	2,400	19.6-39.5	4,000
	400	4,000	32.5-65.6	5,000
Adjustable Deadband	10	100	10-25	3,000
	35	200	12-30	3,000
	50	300	28-50	3,000
	100	600	28-60	3,000
	200	1,300	42-100	3,000

**WETTED PARTS
PROCESS CONNECTION**

- 316 Stainless Steel, diaphragm welded **(standard)**
- 1/2" NPT Female
- 1/4" NPT Female
- 1/2" BSP Female
- 1/4" BSP Female
- 1/2" PT Female
- 1/4" PT Female
- M20 X P1.5

CONDUIT CONNECTION

- 3/4" NPT Female **(standard)**
- 1/2" NPT Female
- M20 X P1.5

SWITCH TYPE

- Micro Switch, 1 x SPDT
- Micro Switch, 2 x SPDT (one setpoint), *not available for Adjustable Deadband*
- Gold Contact, 1 x SPDT, *not available for Adjustable Deadband*
- Gold Contact, 2 x SPDT (one setpoint), *not available for Adjustable Deadband*
- Hermetically Sealed Switch, 1 x SPDT, *not available for Adjustable Deadband*
- Hermetically Sealed Switch, 2 x SPDT (one setpoint), *not available for Adjustable Deadband*

**HOUSING MATERIAL
OPTIONS**

- cULus Listed, Hazardous locations
- Custom Pressure Scale (R1=psi, R2=kPa, R3=kg/cm², R4=cmH₂O, R5=ftH₂O, R6=inHg, R7=mmHg, R8=inH₂O, R9=ozIN₂, R10=ATM, R11=bar, R12=mbar, R13=MPa, R14=mH₂O, R15=mmH₂O, R16=Pa)
- Customer Specific (Numbers from Z01 to Z999)

