

Description & Features:

- General Purpose, watertight pressure switch
- Vacuum pressure to 10 psi
- High current ratings for 1 x SPDT or 2 x SPDT switches
- Fixed deadband
- Die cast aluminum construction with welded seal
- 1% accuracy
- NEMA 4 & 4X, IP66 rated
- cRU recognized (switch only), file no E12252
- CRN registration pending
- 5 year warranty

Applications:

- Suitable for pump and compressor monitoring, HVAC systems and general industrial applications

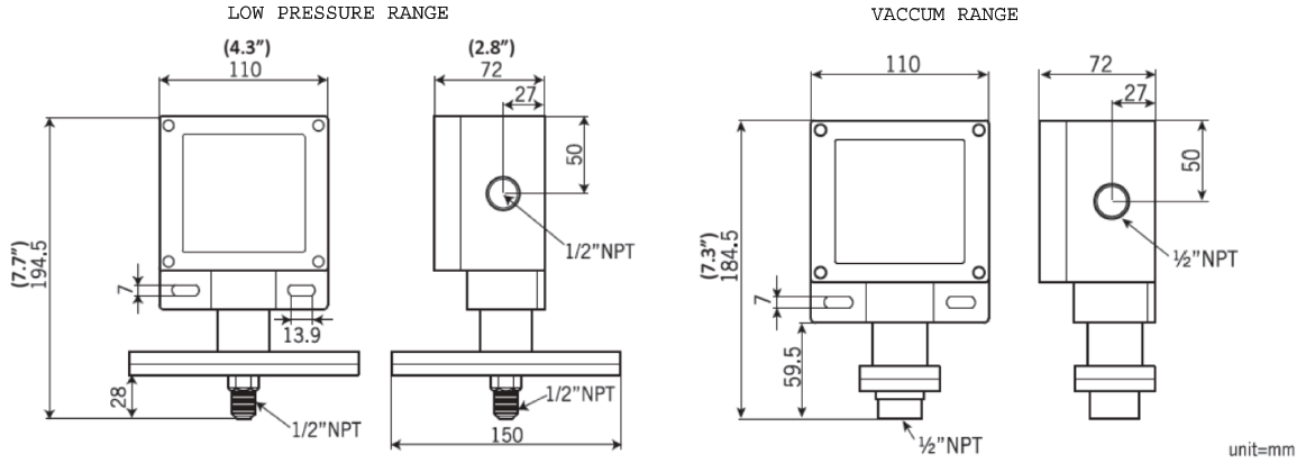
Specifications

Housing	Heavy-duty die-cast aluminum, blue colour
Accuracy	+/- 1% of the adjustable set-point range
Pressure Connection	1/2" NPT, BSP and M20xP1.5
Electrical Connection	Female 1/2" or 3/4" NPT, M20xP1.5
Wetted Parts	316 Stainless Steel welded (except for Vacuum range, Viton o-ring)
Set Point Adjustment	Field selectable
Deadband	Fixed, see Order Codes
Contact Rating	15A @ 125/250VAC, 0.4A @ 125VDC, 3A @ 30VDC Gold contact microswitch 1A @ 125/250VAC
No. of Contacts	1 x SPDT or 2 x SPDT
Ambient Temperature	-30 to 205 deg C (-22 to 400 deg F), Vacuum range only -5 to 150 deg C (23 to 300 deg F)
Enclosure Rating	NEMA 4 & 4X, IP66 Protection against liquid and solid ingress, suitable for indoor or outdoor use and resistant to corrosion
Approvals	cRU recognized, file #E12252 (switch only) CRN registration pending
Weight	3.35 lbs (1.52 kg)

Order Codes

Adjustable Range PSI	Dead Band PSI	Proof Pressure PSI	1/2" NPT Electrical	
			1/4" NPT Process	1/2" NPT Process
-25 to -760 mmHg (-1.0 to -30" Hg)	10-20 mmHg (0.39 to 0.79" Hg)	1,000	3WPSV1306F4F201	3WPSV1306F2F201
0.05-1.8	0.015-0.3	500	3WPS0016F4F201	3WPS0016F2F201
0.4-2.8	0.2-0.5	500	3WPS0106F4F201	3WPS0106F2F201
0.4-5.0	0.3-0.6	500	3WPS0206F4F201	3WPS0206F2F201
1.6-9.8	0.3-0.8	500	3WPS0306F4F201	3WPS0306F2F201

Dimensions



Engineering Code (how to order)

SERIES
PRESSURE RANGES

Low Pressure, PSI

Vacuum, mmHg

WETTED PARTS

PROCESS CONNECTION

CONDUIT CONNECTION

SWITCH TYPE

OPTIONS

Pressure Range	Deadband		Proof Pressure PSI
	Min	Max	
0.05	1.8	0.015-0.3	500
0.4	2.8	0.2-0.5	500
0.4	5.0	0.3-0.6	500
1.6	9.8	0.3-0.8	500
<hr/>			
-25	-760	10-20	1,000

316 Stainless Steel, diaphragm welded (low pressure, standard)

316 Stainless Steel, Viton o-ring (vacuum, standard)

1/2" NPT Female

1/4" NPT Female

1/2" BSP Female

1/4" BSP Female

1/2" PT Female

1/4" PT Female

M20 X P1.5

3/4" NPT Female

1/2" NPT Female (standard)

M20 X P1.5

Micro Switch, 1 x SPDT

Micro Switch, 2 x SPDT (one setpoint)

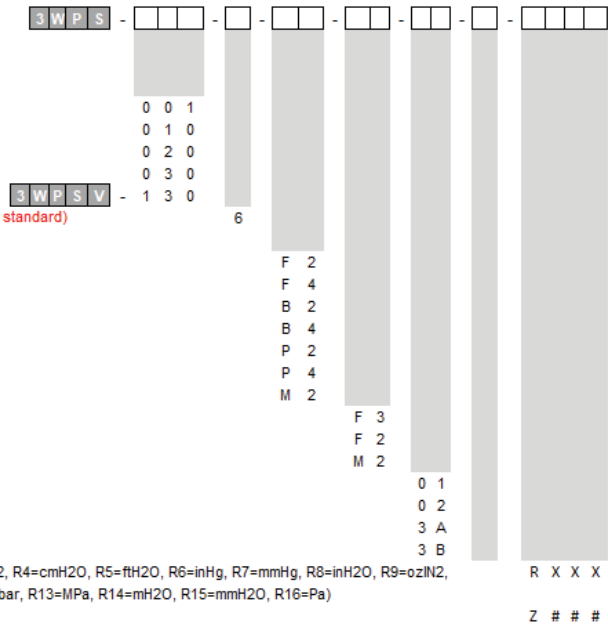
Gold Contact, 1 x SPDT

Gold Contact, 2 x SPDT (one setpoint)

Custom Pressure Scale (R1=psi, R2=kPa, R3=kg/cm2, R4=cmH2O, R5=ftH2O, R6=inHg, R7=mmHg, R8=inH2O, R9=ozIN2,

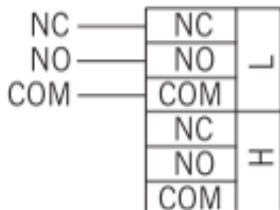
R10=ATM, R11=bar, R12=mbar, R13=MPa, R14=mH2O, R15=mmH2O, R16=Pa)

Customer Specific (Numbers from Z01 to Z999)



Wiring Diagram

1 x SPDT



2 x SPDT

