

Explosion Proof Differential Pressure Switch



Description & Features:

- Heavy-duty, explosion-proof, differential pressure switch
- Low pressure to 300 psi
- High current ratings for 1 x SPDT or 2 x SPDT switches
- Fixed deadband
- Die cast aluminum construction with welded seal
- 1% accuracy
- IP68 rated including Hermetically sealed option
- cULus listed and RU recognized
- CRN registration pending
- 5 year warranty

Applications:

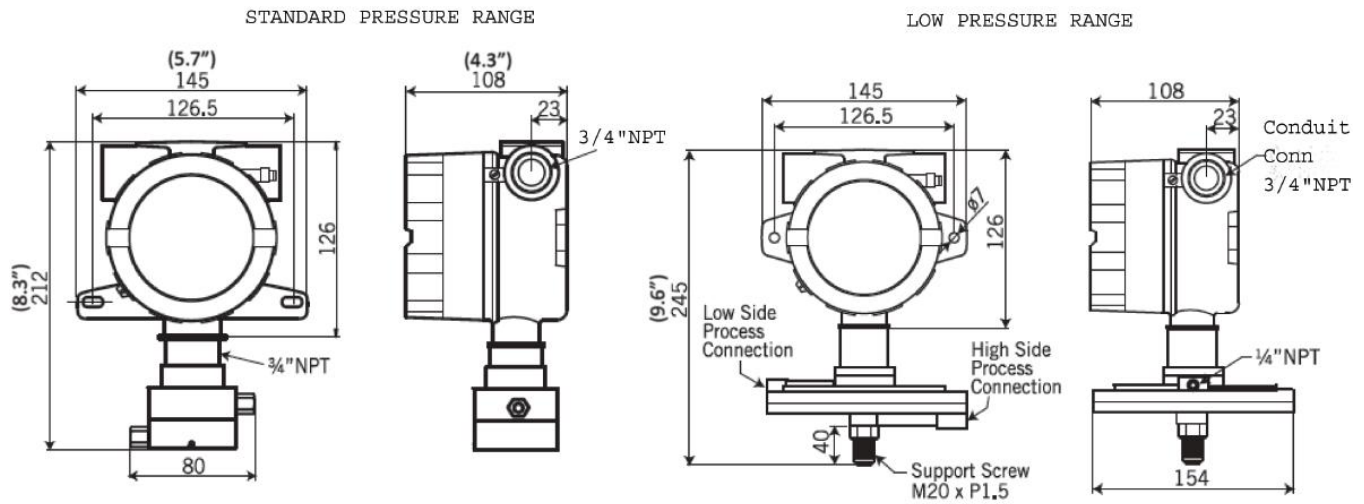
- Suitable for differential pressure applications in hazardous areas including filter monitoring and control

Specifications	
Housing	Heavy-duty die-cast aluminum, blue colour
Accuracy	+/- 1% of the adjustable set-point range
Pressure Connection	Female 1/4" NPT, BSP
Electrical Connection	Female 1/2" or 3/4" NPT, M20xP1.5
Wetted Parts	Low pressure ranges - 316 Stainless Steel welded & Titanium High pressure ranges - 316 Stainless Steel welded
Set Point Adjustment	Field selectable
Deadband	Fixed, see Order Codes
Contact Ratings	Fixed Deadband: 15A @ 125/250VAC, 0.4A @ 125VDC, 3A @ 30VDC Hermetically sealed switch 5A @ 250VAC Gold contact microswitch 1A @ 125/250VAC
No. of Contacts	1 x SPDT or 2 x SPDT
Ambient/Process Temperature	-30 to 205 deg C (-22 to 400 deg F)
Enclosure Rating	IP68 Protection from dust ingress and submersion in fresh water to a maximum depth of 1.5 metres for up to 30 minutes
Approvals	cULus listed, Class I Division 1 Groups A, B, C & D; Class II Division 1 Groups E, F & G (housing) RU recognized, file no E12252 (switch) CRN registration pending
Weight	7.5 lbs (3.4 kg)

Order Codes

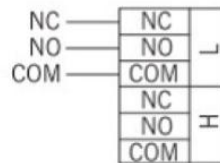
Adjustable Range PSI	Dead Band PSI	Proof Pressure PSI	3/4" NPT Electrical
			1/4" NPT Process
400-1,900 mmH2O (15.7-74.8" H2O)	30-80 mmH2O (1.2-3.1" H2O)	500	10WPSL240AF4F301U
1,000-10,000 (39.4-393.7" H2O)	70-200 mmH2O (2.8-7.9" H2O)	500	10WPSL4006AF4F301U
3-28	0.015-0.3	1,000	10WPS0106F4F301U
7-100	0.2-0.5	1,000	10WPS0206F4F301U
35-200	0.3-0.6	1,000	10WPS0306F4F301U
50-300	0.3-0.8	1,000	10WPS0406F4F301U

Dimensions

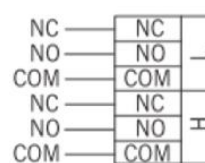


Wiring Schematic

1 x SPDT



2 x SPDT



Electronic Pressure Switches

Engineering Code

SERIES
PRESSURE RANGES PSI

Pressure Range		Deadband	Proof Pressure PSI
Min	Max		
3	28	0.15-14	1,000
7	100	0.35-5	1,000
35	200	1.75-10	1,000
50	300	2.5-25	1,000

400	1,900	30-80	750
1,000	10,000	70-200	750

Low Pressure Ranges, mmH2O

WETTED PARTS

316 Stainless Steel, diaphragm welded (standard)
316 Stainless Steel & Titanium (low pressure, standard)

PROCESS CONNECTION

1/2" NPT Female
1/4" NPT Female
1/2" BSP Female
1/4" BSP Female
1/2" PT Female
1/4" PT Female

CONDUIT CONNECTION

3/4" NPT Female (standard)
1/2" NPT Female
M20 X P1.5

SWITCH TYPE

Micro Switch, 1x SPDT
Micro Switch, 2x SPDT (one setpoint)
Gold Contact, 1x SPDT
Gold Contact, 2x SPDT (one setpoint)
Hermetically Sealed Switch, 1x SPDT
Hermetically Sealed Switch, 2x SPDT (one setpoint)

HOUSING MATERIAL
OPTIONS

cULus Listed, Hazardous locations
Custom Pressure Scale (R1=psi, R2=kPa, R3=kg/cm2, R4=cmH2O, R5=ftH2O, R6=inHg, R7=mmHg, R8=inH2O, R9=ozIN2, R10=ATM, R11=bar, R12=mbar, R13=MPa, R14=mH2O, R15=mmH2O, R16=Pa)
Customer Specific (Numbers from Z01 to Z999)

