



Description & Features:

- Developed for use in general industry and OEM applications, where versatility and economy are requirements
- Compact stainless steel construction with ceramic sensor
- Available ranges include in/Hg up to 5,000 psi
- Wide range of mechanical and electrical connections
- $\pm 0.5\%$ accuracy
- NEMA 4X / IP65 and IP67
- CSA Approved 2 wire, 4-20 mA output
- CE and RoHS compliant
- Approved for outdoor use
- Customizable
- 5 year warranty

Applications:

- Suitable for all process and automation control, hydraulics and pneumatic sensing, pump and compressor monitoring, refrigeration and HVAC

Specifications

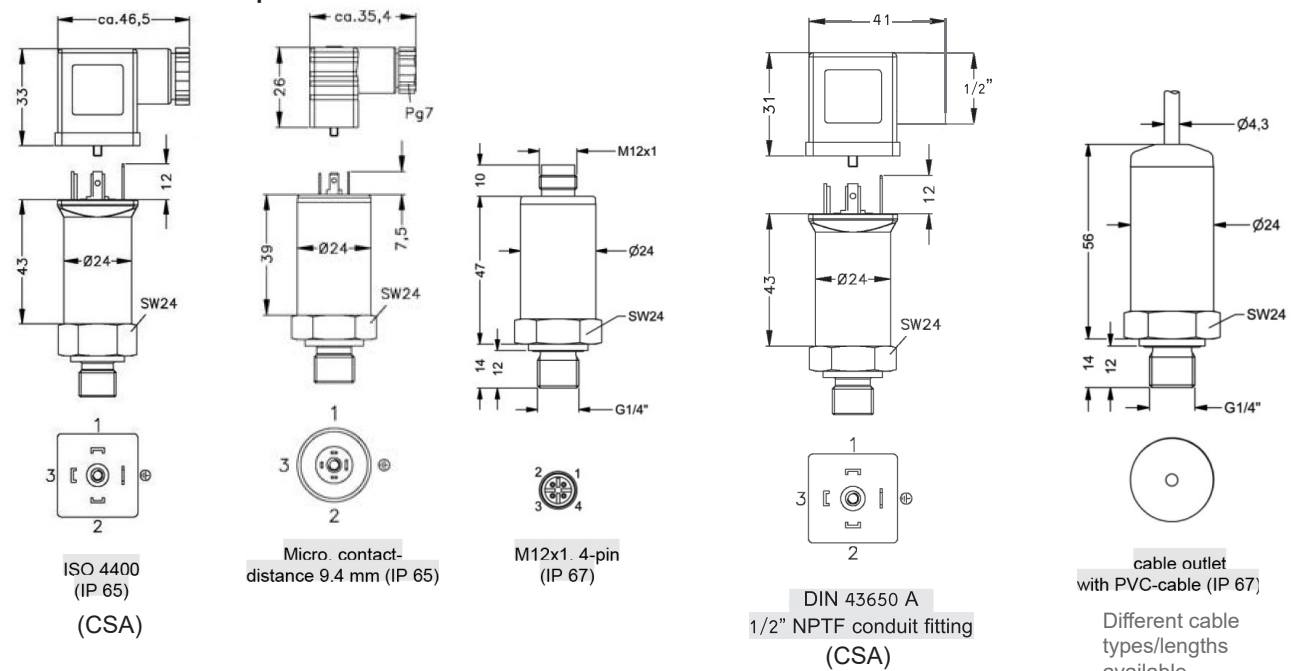
| | |
|------------------------------------|--------------------------------------------------------------------------------------------------------------------------------------------------------------------------------|
| Output Signal | Standard 2-wire: 4-20 mA / $V_s = 8-32$ Vdc (CSA) Optional 3-wire: 0-10 V / $V_s = 14-30$ Vdc Optional 3-wire ratiometric: $V_{sig} = 0.5-4.5 V_s / V_s = 5 \pm 0.5$ Vdc |
| Accuracy | $\pm 0.5\%$ FSO |
| Permissible Load | 2-wire: $R_{max} = [(V_s - V_{s min}) / 0.02]$ Ohm 3-wire: $R_{min} = 10$ kOhm |
| Influence Effects | Supply: 0.05% FSO / 10 V Load: 0.05% FSO / kOhm |
| Response Time | 2-wire: <10 ms 3-wire: <3 ms |
| Measuring Rate | 1 kHz |
| Thermal Error | < $\pm 0.5\%$ FSO / 10K |
| Permissible Temperatures | Medium: -13°F to 257°F (-25°C to 125°C) Electronics environment: -13°F to 185°F (-25°C to 85°C) Storage: -40°F to 185°F (-40°C to 85°C) |
| Short-circuit Protection | Permanent 3-wire ratiometric: None |
| Reverse Polarity Protection | No damage. No function. |
| Electromagnetic Protection | Emission and immunity according to EN 61326 |
| Stability | Vibration: 10 g, 25 Hz to 2 kHz according to DIN EN 60068-2-6 Shock: 500 g / 1 ms according to DIN EN 60068-2-27 |
| Pollution Degree | 4, electrical equipment for outdoor use |
| Pressure Port / Housing | 304 SS |
| Wetted Parts | Seals: FKM Diaphragm: Ceramic Al_2O_3 96% |
| Weight | 120 g |
| Current Consumption | 2-wire: 25 mA max 3-wire voltage: 5 mA (short-circuit current 20 mA) 3-wire ratiometric: 1.5 mA |
| Long-term Stability | < $\pm 0.3\%$ FSO/yr at reference conditions |
| Operation Life | >100 x 10 ⁶ cycles |
| Approval | CSA Certified for electrical equipment |
| CE Conformity | EMC directive: 2004/108/EC Pressure equipment directive: 97/23/EC (module A). Valid for devices with max permissible overpressure > 3,000 psi |

Order Codes (products in bold are normally stock in North America)

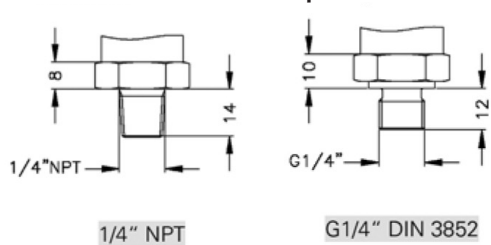
| Range | Over-pressure | Burst Pressure | Code |
|-------------|---------------|----------------|----------------|
| 30" Hg Vac | 15 psi | 44 psi | LE330VC |
| 0/15 psi | 15 psi | 44 psi | LE315 |
| 0/25 psi | 58 psi | 102 psi | LE325 |
| 0/50 psi | 58 psi | 102 psi | LE350 |
| 0/60 psi | 145 psi | 218 psi | LE360 |
| 0/100 psi | 145 psi | 218 psi | LE3100 |
| 0/150 psi | 290 psi | 508 psi | LE3150 |
| 0/200 psi | 580 psi | 1,015 psi | LE3200 |
| 0/300 psi | 580 psi | 1,015 psi | LE3300 |
| 0/500 psi | 1,450 psi | 2,176 psi | LE3500 |
| 0/1,000 psi | 1,450 psi | 2,176 psi | LE31000 |
| 0/2,000 psi | 2,901 psi | 3,626 psi | LE32000 |
| 0/3,000 psi | 5,802 psi | 6,527 psi | LE33000 |
| 0/5,000 psi | 5,802 psi | 6,527 psi | LE35000 |

Note: Other connections available upon request

Electrical Connection

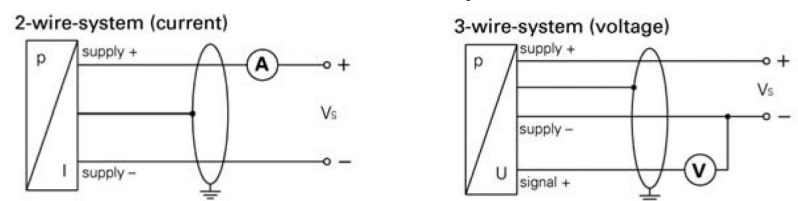


Mechanical Connection



Note: Measurements are in mm

Wiring Diagram



Pin Configuration

| Electrical Connection | ISO 4400 | Micro (contact distance 9.4mm) | M12x1 (4 pin), plastic | Cable Colours (DIN 47100) |
|-----------------------|------------|--------------------------------|------------------------|---------------------------|
| Supply+ | 1 | 1 | 1 | White |
| Supply- | 2 | 2 | 2 | Brown |
| Signal+ (for 3-wire) | 3 | 3 | 3 | Green |
| Shield | Ground pin | Ground pin | 4 | Green/yellow |