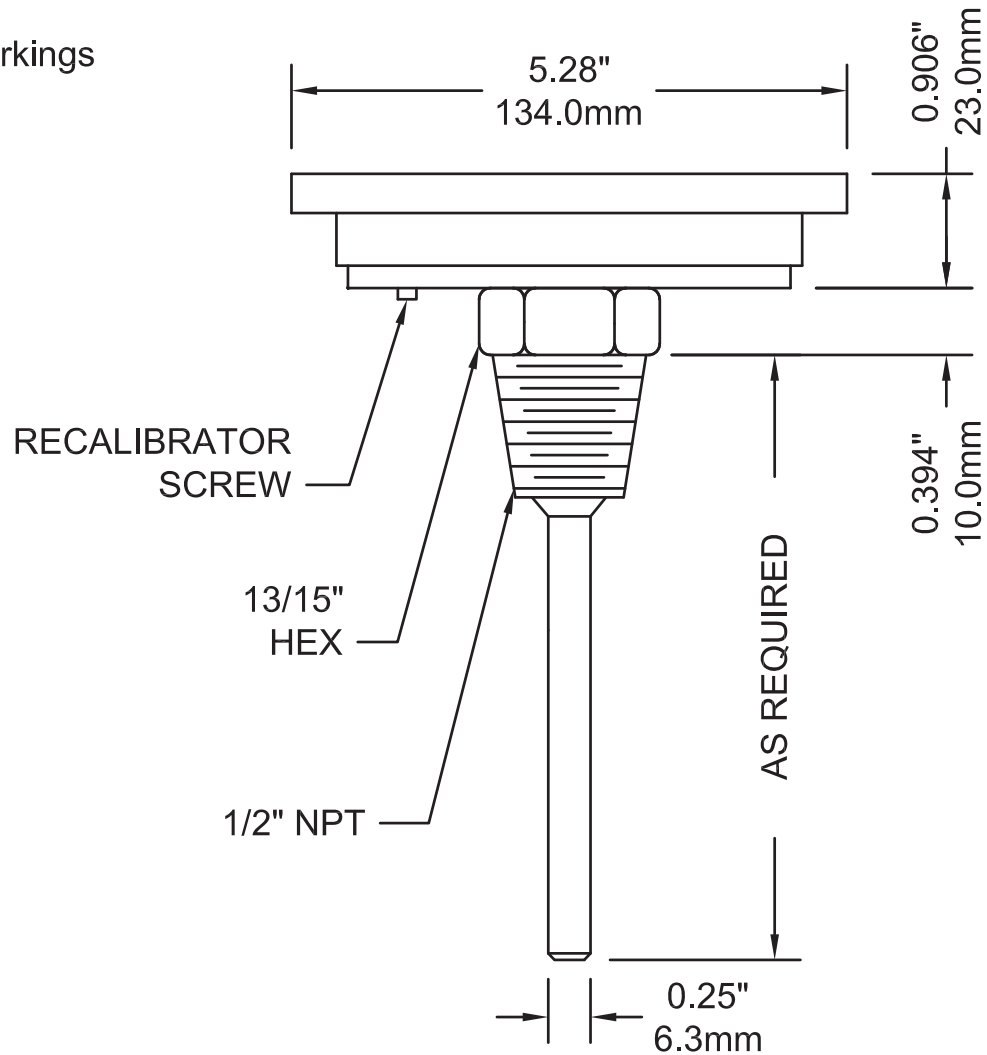


Maximum Operating Pressure (without thermowell): 125psi (861 kPa)
 Ambient Temperature: -58°F to 248°F (-50°C to 120°C)
 Operating Temperature: Recommended maximum 75% of full scale value
 Case: 304 S/S
 Bezel: 304 S/S
 Lens: Glass, Hermetically Sealed
 Dial: Aluminum silver dished dial with black markings
 Movement: Bimetallic coil
 Socket: 304 S/S
 Stem: 304SS (welded to socket)
 Welding: TIG
 Pointer: Brass Painted Black
 Recalibrator: Standard
 Accuracy: ±1% of full scale
 Enclosure: IP68



DRAWN BY: DAVID REAY
 ENG. APPROVAL: DR

ALL DIMENSIONS IN INCHES/MM

TOLERANCES (unless otherwise stated)	
Fractional:	$\frac{1}{64}$ " 0.4mm
Decimal:	0.06" 1.5mm

REVISION DATE: #1 July.25, 2011

TITLE:

BIMETAL THERMOMETER, 5" DIAL, BACK
 CONNECTION

DRAWING NO: TBM-5-0-XXX-2-2-2-N